


SECTION S23
CONCRETE PAD SPECIFICATIONS

<u>PAGE</u>	<u>DESCRIPTION</u>
01-01	GENERAL INFORMATION
01-02	SINGLE PHASE PAD 44"x52"x6" (25 KVA to 100 KVA)
01-03	SINGLE PHASE PAD 48"x60"x6" (167 KVA & 250 KVA)
01-04	SINGLE PHASE PAD - TYPE 3 OR TYPE 2A JUNCTION BOX 40"x45"x4"
01-05	SINGLE PHASE PAD - PRIMARY METER TYPE 12 JUNCTION BOX 60"x66"x6"
01-06	SINGLE PHASE PAD - FIBERGLASS 41.5"x47.5"x32"
01-07	SINGLE PHASE PAD - FIBERGLASS 37.5"x43"x24"
01-08	THREE PHASE PAD 80"x60"x6" (75 KVA to 500 KVA)
01-09	THREE PHASE PAD 87"x82"x7" (750 KVA to 2500 KVA)
01-10	THREE PHASE PAD - TYPE 2C JUNCTION BOX 48"x44"x4"
01-11	THREE PHASE SLEEVE - TYPE 4 PRIMARY JUNCTION BOX 70"x24"x24"
01-12	THREE PHASE SLEEVE - TYPE 6A & 7A PRIMARY JUNCTION BOX 72"x36"x20"
01-13	THREE PHASE SLEEVE - TYPE 6A & 7A PRIMARY JUNCTION BOX 72"x36"x24"
01-14	THREE PHASE SLEEVE - TYPE 13 PRIMARY METER JUNCTION BOX 72"x54"x24"
01-15	THREE PHASE SLEEVE - TYPE 10 SWITCHGEAR 75"x65"x24"
01-16	THREE PHASE SLEEVE - TYPE 10 SWITCHGEAR 75"x65"x40"
01-17	THREE PHASE SLEEVE - TYPE 11 & 15 SWITCHGEAR 77"x72.5"x24"
01-18	THREE PHASE SLEEVE - TYPE 14 ATS (G&W) 86.625"x62.25"x24"


Authorized: _____	Date: _____	4	7/22/19
Approved: _____	Date: _____	3	8/7/17
		2	1/12/05
		Rev.	Revision Date

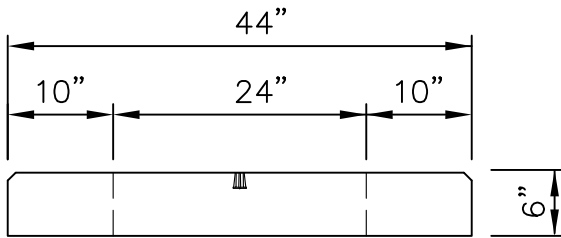
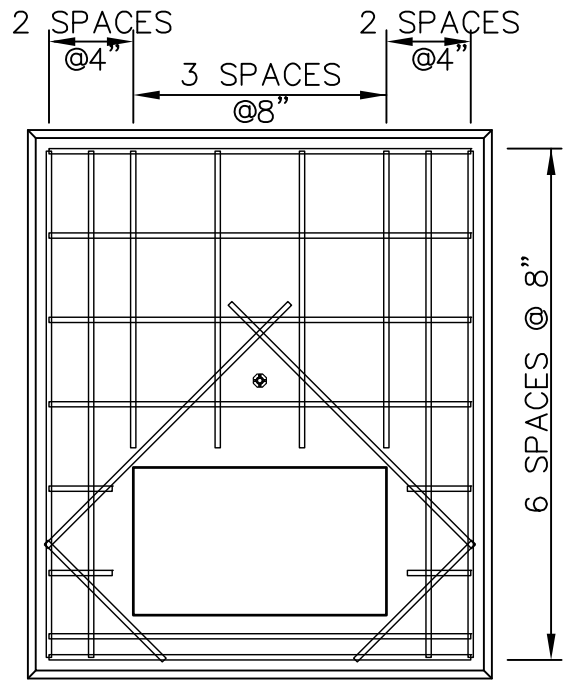
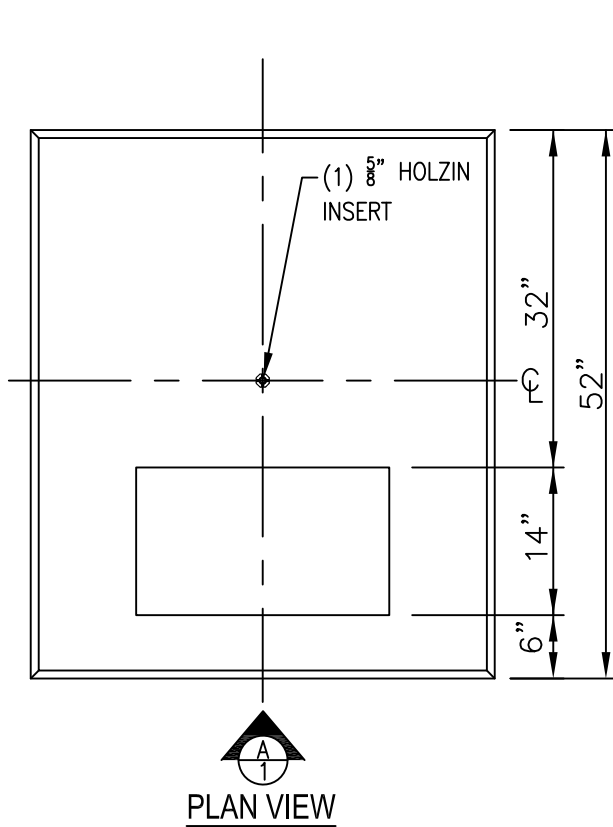
	TABLE OF CONTENTS	Standard No.
	KISSIMMEE UTILITY AUTHORITY – DISTRIBUTION CONSTRUCTION MANUAL	PAD02

GENERAL:

1. UNLESS OTHERWISE INDICATED, ALL PADS LISTED HEREIN SHALL BE PRE-CAST PADS OR SLEEVES.

2. ALL CONCRETE PADS AND SLEEVES INDICATED HEREIN THIS SECTION ARE PRE-CAST TO THE DIMENSIONS STATED.
 ALL CONCRETE PADS WILL BE FURNISHED & PLACED BY KUA. IT IS THE RESPONSIBILITY OF THE DEVELOPER TO BRING THE SITE TO THE FINISHED GRADE WITHIN A 10 FEET PERIMETER OF WHERE SUCH CONCRETE PADS AND SLEEVES ARE TO BE INSTALLED.

Authorized: _____	Date: _____		
Approved: _____	Date: _____	1	8/7/17
		Rev.	Revision Date
	GENERAL NOTES		Standard No.
	KISSIMMEE UTILITY AUTHORITY – DISTRIBUTION CONSTRUCTION MANUAL		



VIEW A

APPROX WEIGHT = 1,016 LBS
 KUA STOCK NUMBER = PADCONSP44526

THE TOP SURFACE SHALL BE A SMOOTH PLANE. THE MAXIMUM ALLOWABLE VARIATION IN HEIGHT BETWEEN TWO POINTS ON THIS SURFACE SHALL BE 0.125 INCHES. CONCRETE SHALL BE AT LEAST A 4000 PSI MIXTURE AT 28 DAYS WITH REINFORCING #4 REBAR. REINFORCING REBAR RODS SHALL BE WELDED AT EACH INTERSECTION. PER ASTM-615, THE REBAR SHALL BE GRADE 60. THERE SHALL BE AT LEAST 2" CONCRETE COVER REQUIRED OVER STEEL ON SIDES AND AROUND OPENINGS OF THE FOUNDATION. BEVEL ALL OUTER EXPOSED TOP EDGES, MAXIMUM OF 1/2" AROUND TOP. THE WINDOW OPENING SHALL NOT BE BEVELED.

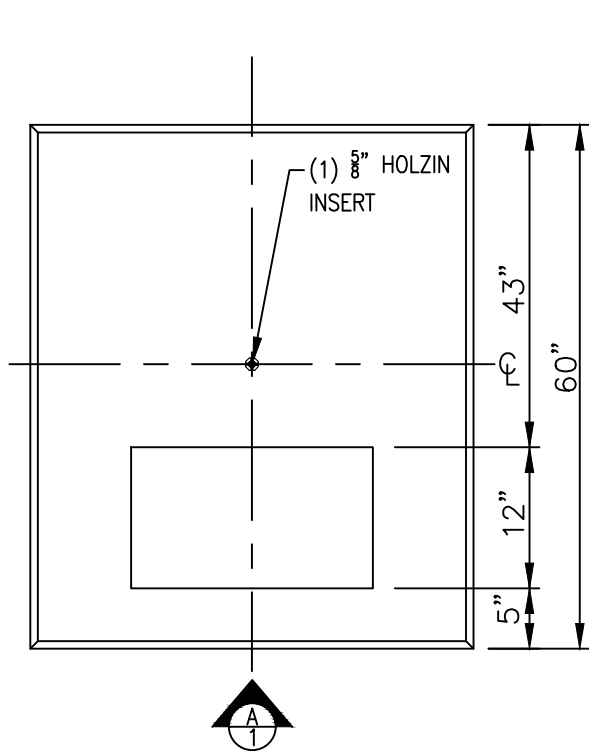
Authorized: _____	Date: _____	3	7/22/19
Approved: _____	Date: _____	2	8/7/17
		1	4/9/02
		Rev.	Revision Date



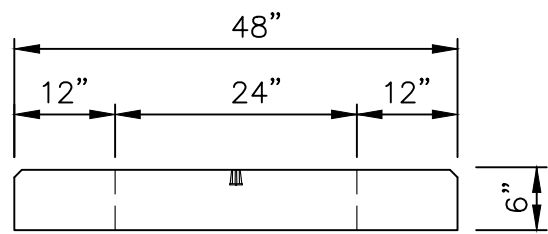
SINGLE PHASE PAD 44"x52"x6"
(25 KVA to 100 KVA)

KISSIMMEE UTILITY AUTHORITY – DISTRIBUTION CONSTRUCTION MANUAL

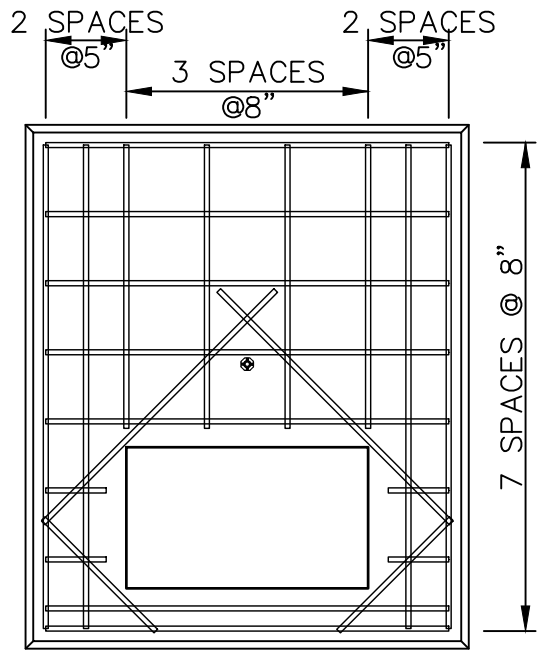
Standard No.
 PAD03



PLAN VIEW



VIEW A



APPROX WEIGHT = x,xxx LBS
 KUA STOCK NUMBER = PADCONSP48606

THE TOP SURFACE SHALL BE A SMOOTH PLANE. THE MAXIMUM ALLOWABLE VARIATION IN HEIGHT BETWEEN TWO POINTS ON THIS SURFACE SHALL BE 0.125 INCHES. CONCRETE SHALL BE AT LEAST A 4000 PSI MIXTURE AT 28 DAYS WITH REINFORCING #4 REBAR. REINFORCING REBAR RODS SHALL BE WELDED AT EACH INTERSECTION. PER ASTM-615, THE REBAR SHALL BE GRADE 60. THERE SHALL BE AT LEAST 2" CONCRETE COVER REQUIRED OVER STEEL ON SIDES AND AROUND OPENINGS OF THE FOUNDATION. BEVEL ALL OUTER EXPOSED TOP EDGES, MAXIMUM OF 1/2" AROUND TOP. THE WINDOW OPENING SHALL NOT BE BEVELED.

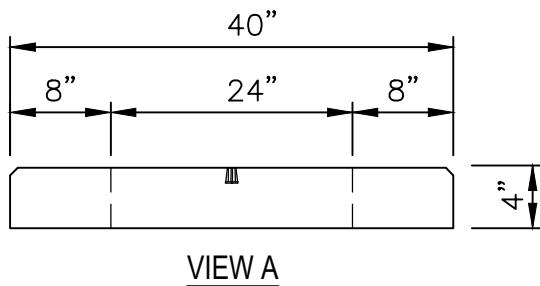
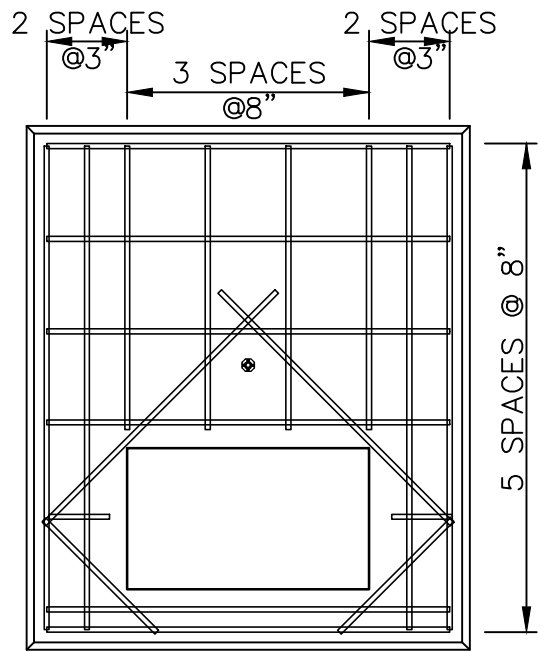
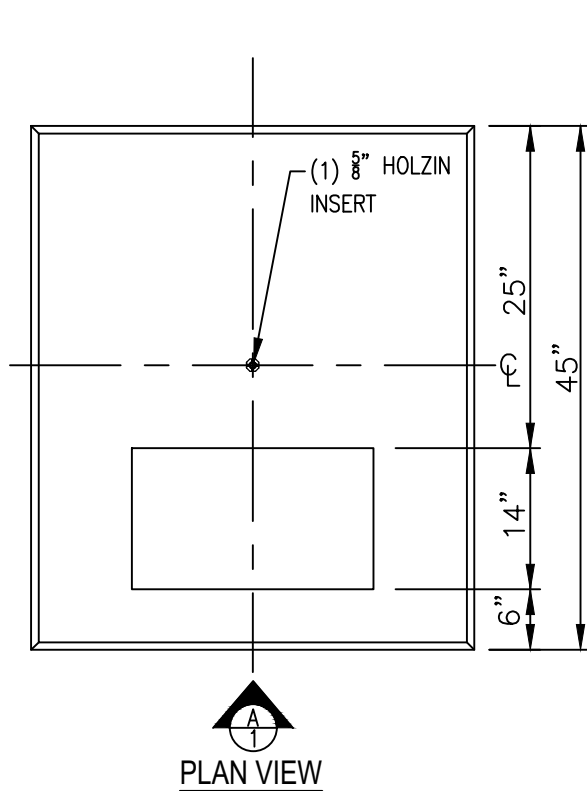
Authorized: _____	Date: _____	3	7/22/19
Approved: _____	Date: _____	2	8/7/17
		1	4/9/02
		Rev.	Revision Date



SINGLE PHASE PAD 48"x60"x6"
 (167 KVA to 250 KVA)

KISSIMMEE UTILITY AUTHORITY – DISTRIBUTION CONSTRUCTION MANUAL

Standard No.
 PAD04



APPROX WEIGHT = x,xxx LBS
 KUA STOCK NUMBER = PADJUNCTIBOX

THE TOP SURFACE SHALL BE A SMOOTH PLANE. THE MAXIMUM ALLOWABLE VARIATION IN HEIGHT BETWEEN TWO POINTS ON THIS SURFACE SHALL BE 0.125 INCHES. CONCRETE SHALL BE AT LEAST A 4000 PSI MIXTURE AT 28 DAYS WITH REINFORCING #4 REBAR. REINFORCING REBAR RODS SHALL BE WELDED AT EACH INTERSECTION. PER ASTM-615, THE REBAR SHALL BE GRADE 60. THERE SHALL BE AT LEAST 2" CONCRETE COVER REQUIRED OVER STEEL ON SIDES AND AROUND OPENINGS OF THE FOUNDATION. BEVEL ALL OUTER EXPOSED TOP EDGES, MAXIMUM OF 1/2" AROUND TOP. THE WINDOW OPENING SHALL NOT BE BEVELED.

Authorized: _____ Date: _____
 Approved: _____ Date: _____

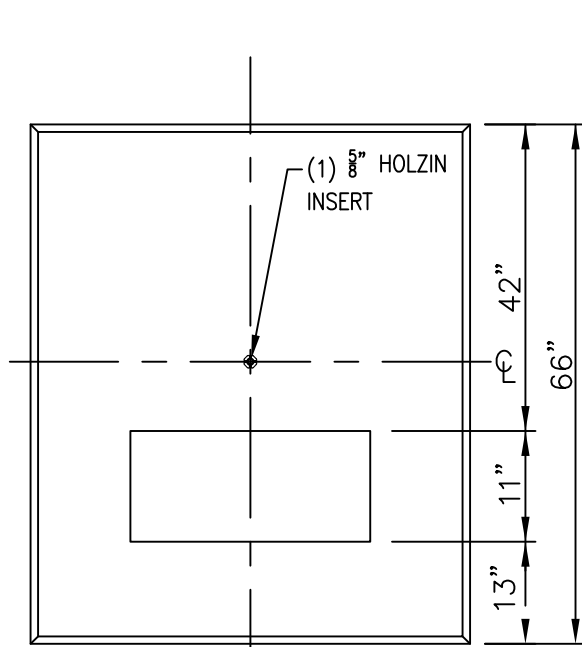
3	7/22/19
2	8/7/17
1	4/9/02
Rev.	Revision Date



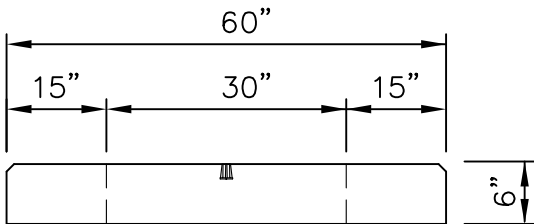
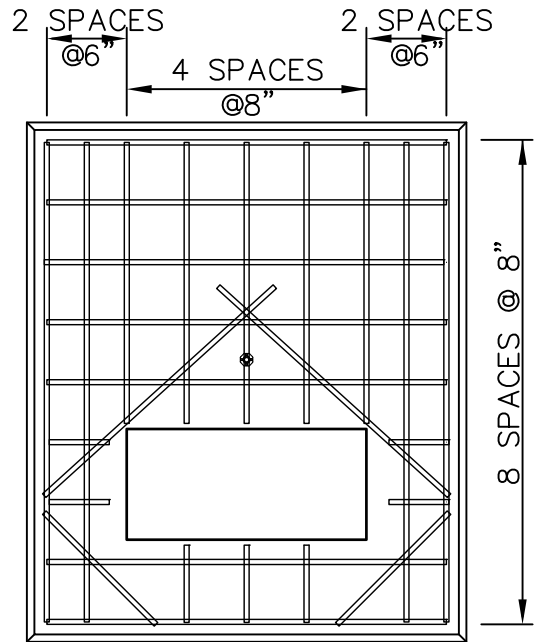
**SINGLE PHASE PAD TYPE 3 OR 2A
 JUNCTION BOX 48"x45"x4"**

KISSIMMEE UTILITY AUTHORITY – DISTRIBUTION CONSTRUCTION MANUAL

Standard No.
 PAD04



PLAN VIEW



VIEW A

APPROX WEIGHT = x,xxx LBS
 KUA STOCK NUMBER = PADCONCTYPE12

THE TOP SURFACE SHALL BE A SMOOTH PLANE. THE MAXIMUM ALLOWABLE VARIATION IN HEIGHT BETWEEN TWO POINTS ON THIS SURFACE SHALL BE 0.125 INCHES. CONCRETE SHALL BE AT LEAST A 4000 PSI MIXTURE AT 28 DAYS WITH REINFORCING #4 REBAR. REINFORCING REBAR RODS SHALL BE WELDED AT EACH INTERSECTION. PER ASTM-615, THE REBAR SHALL BE GRADE 60. THERE SHALL BE AT LEAST 2" CONCRETE COVER REQUIRED OVER STEEL ON SIDES AND AROUND OPENINGS OF THE FOUNDATION. BEVEL ALL OUTER EXPOSED TOP EDGES, MAXIMUM OF 1/2" AROUND TOP. THE WINDOW OPENING SHALL NOT BE BEVELED.

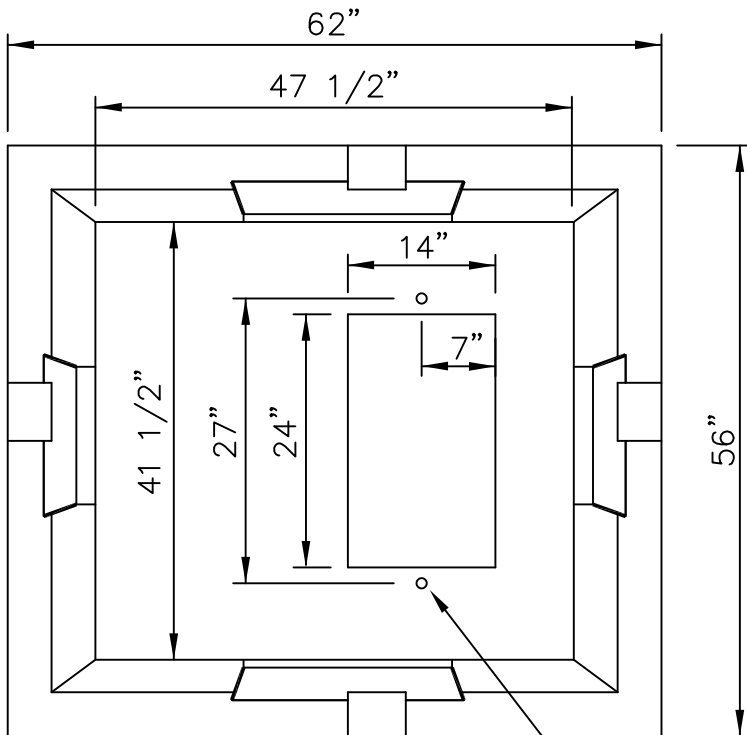
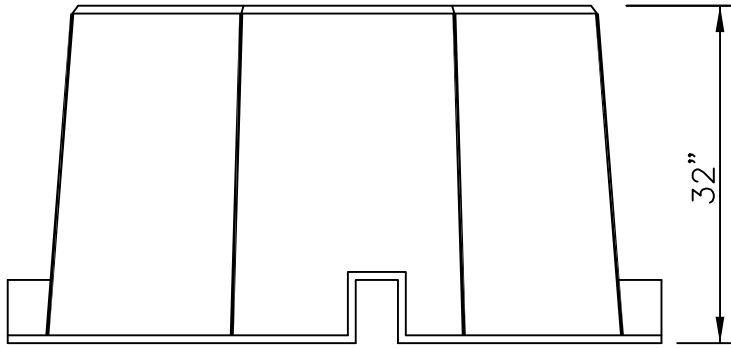
Authorized: _____	Date: _____	3	7/22/19
Approved: _____	Date: _____	2	8/7/17
		1	4/9/02
		Rev.	Revision Date



**SINGLE PHASE PAD TYPE 12 PRIMARY METER
 JUNCTION BOX 60"x66"x6"**


KISSIMMEE UTILITY AUTHORITY – DISTRIBUTION CONSTRUCTION MANUAL

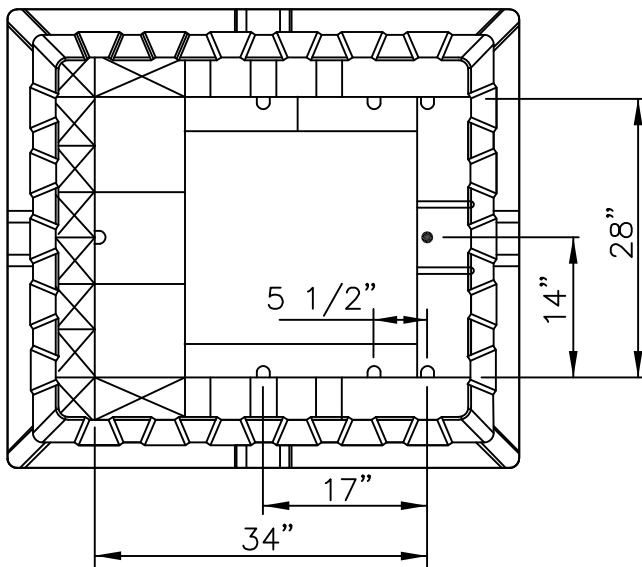
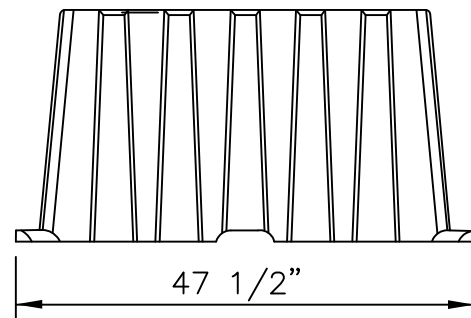
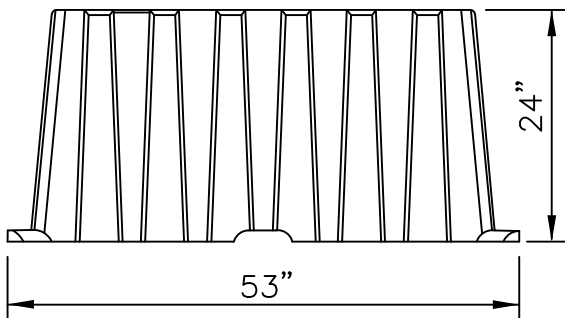
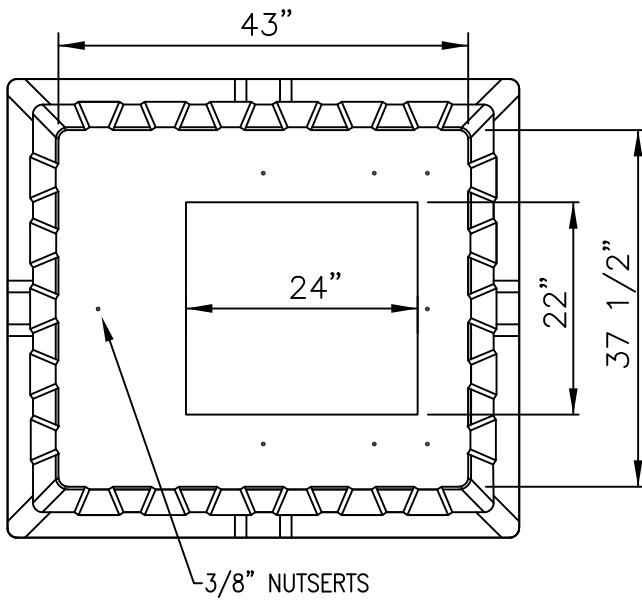
Standard No.
 PAD13




3/8" SS INSERTS (2X)

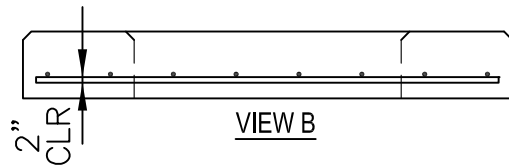
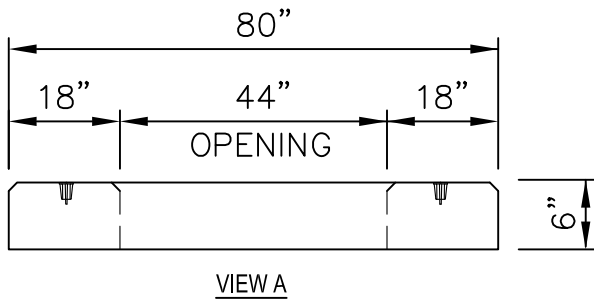
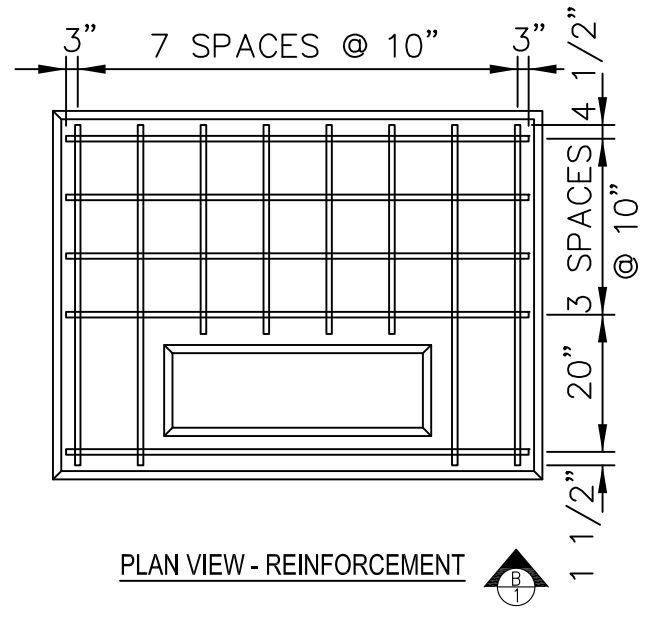
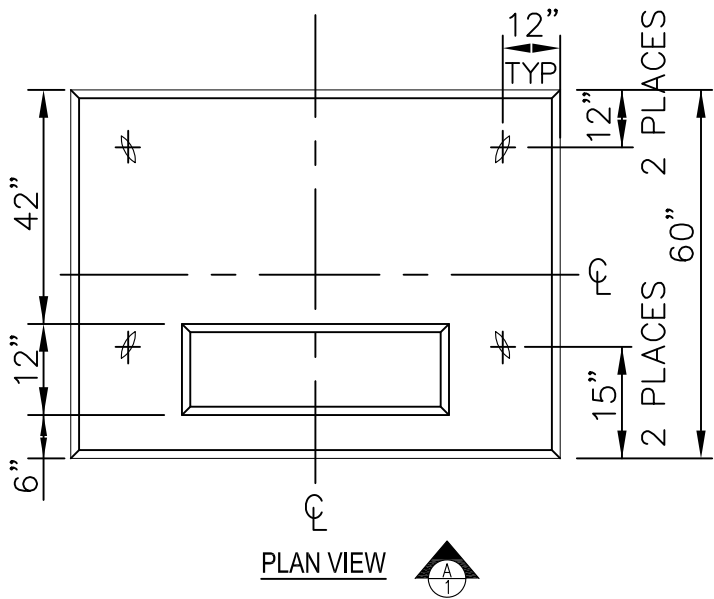
APPROX WEIGHT = 130 LBS
KUA STOCK NUMBER = PADFIBERGLAS

Authorized: _____	Date: _____	1	7/22/19
Approved: _____	Date: _____	0	8/7/17
		Rev.	Revision Date
	SINGLE PHASE PAD FIBERGLASS 41.5"x47.5"x32"		Standard No.
	KISSIMMEE UTILITY AUTHORITY – DISTRIBUTION CONSTRUCTION MANUAL		PADXX



APPROX WEIGHT = 65 LBS
 KUA STOCK NUMBER = PADFIBERGLAS24

Authorized: _____	Date: _____	1	7/22/19
Approved: _____	Date: _____	0	8/7/17
		Rev.	Revision Date
	SINGLE PHASE PAD FIBERGLASS 37.5"x43"x24"		Standard No.
	KISSIMMEE UTILITY AUTHORITY – DISTRIBUTION CONSTRUCTION MANUAL		PADXX



APPROX WEIGHT = 2,250 LBS
 KUA STOCK NUMBER = PADCON60806

THE TOP SURFACE SHALL BE A SMOOTH PLANE. THE MAXIMUM ALLOWABLE VARIATION IN HEIGHT BETWEEN TWO POINTS ON THIS SURFACE SHALL BE 0.125 INCHES. CONCRETE SHALL BE AT LEAST A 4000 PSI MIXTURE AT 28 DAYS WITH REINFORCING #4 REBAR. REINFORCING REBAR RODS SHALL BE WELDED AT EACH INTERSECTION. PER ASTM-615, THE REBAR SHALL BE GRADE 60. THERE SHALL BE AT LEAST 2" CONCRETE COVER REQUIRED OVER STEEL ON SIDES AND AROUND OPENINGS OF THE FOUNDATION. BEVEL ALL OUTER EXPOSED TOP EDGES, MAXIMUM OF 1/2" AROUND TOP. THE WINDOW OPENING SHALL NOT BE BEVELED. THE PAD SHALL ALSO BE PROVIDED WITH AT LEAST (4) -4" LIFTER .0444" DIA V-ANCHORS. THESE V-ANCHORS SHALL BE ANGLED SO THAT THE CREW'S PULLING CHAINS WILL ALLOW THE PAD TO BE LEVELED AS IT IS BEING LIFTED IN PLACE FOR FIELD INSTALLATION.

Authorized: _____ Date: _____
 Approved: _____ Date: _____

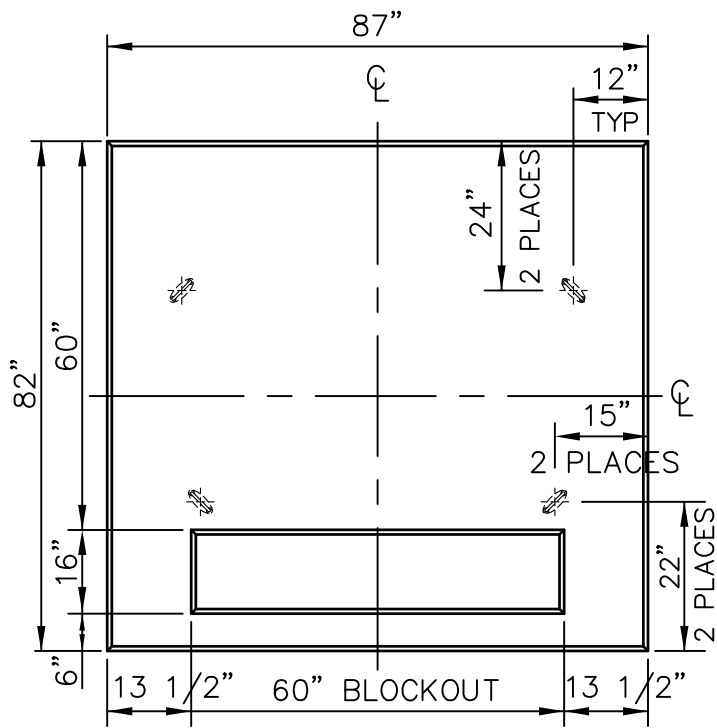
3	7/22/19
2	8/7/17
1	4/9/02
Rev.	Revision Date



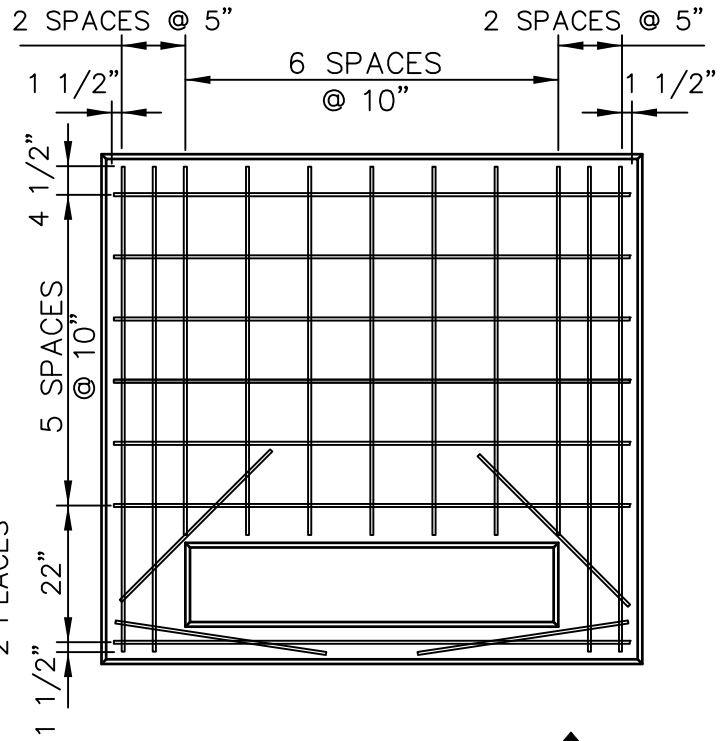
THREE PHASE PAD 80"x60"x6"
(75 KVA TO 500 KVA)

KISSIMMEE UTILITY AUTHORITY - DISTRIBUTION CONSTRUCTION MANUAL

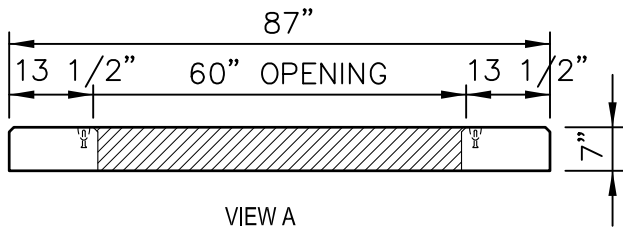
Standard No.
 PAD09



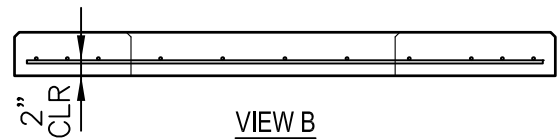
PLAN VIEW



PLAN VIEW - REINFORCEMENT



VIEW A



VIEW B

APPROX WEIGHT = 3,860 LBS
 KUA STOCK NUMBER = PADCON3PH82877

THE TOP SURFACE SHALL BE A SMOOTH PLANE. THE MAXIMUM ALLOWABLE VARIATION IN HEIGHT BETWEEN TWO POINTS ON THIS SURFACE SHALL BE 0.125 INCHES. CONCRETE SHALL BE AT LEAST A 4000 PSI MIXTURE AT 28 DAYS WITH REINFORCING #4 REBAR. REINFORCING REBAR RODS SHALL BE WELDED AT EACH INTERSECTION. PER ASTM-615, THE REBAR SHALL BE GRADE 60. THERE SHALL BE AT LEAST 2" CONCRETE COVER REQUIRED OVER STEEL ON SIDES AND AROUND OPENINGS OF THE FOUNDATION. BEVEL ALL OUTER EXPOSED TOP EDGES, MAXIMUM OF 1/2" AROUND TOP. THE WINDOW OPENING SHALL NOT BE BEVELED. THE PAD SHALL ALSO BE PROVIDED WITH AT LEAST (4) -4" LIFTERS .0444" DIA. V-ANCHORS. THESE V-ANCHORS SHALL BE ANGLED SO THAT THE CREW'S PULLING CHAINS WILL ALLOW THE PAD TO BE LEVELED AS IT IS BEING LIFTED IN PLACE FOR FIELD INSTALLATION.

Authorized: _____ Date: _____
 Approved: _____ Date: _____

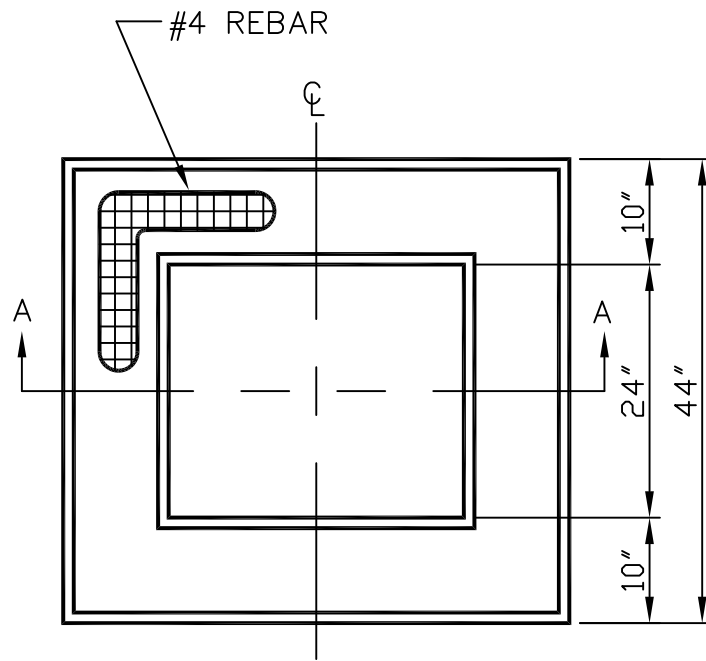
3	7/22/19
2	8/7/17
1	4/9/02
Rev.	Revision Date



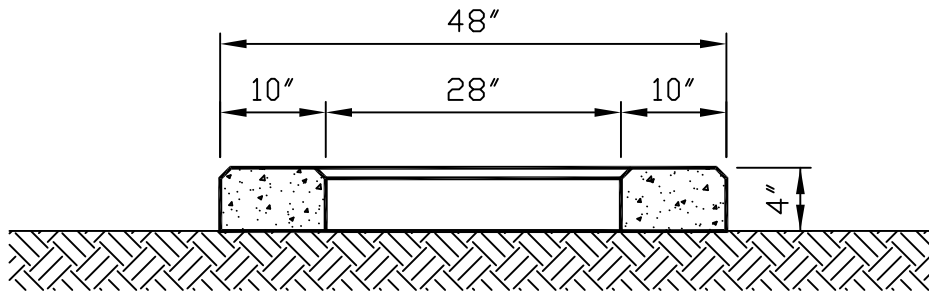
THREE PHASE PAD 87"x82"x7"
(750 KVA TO 2500 KVA)

KISSIMMEE UTILITY AUTHORITY - DISTRIBUTION CONSTRUCTION MANUAL

Standard No.
 PAD10



PLAN VIEW



SECTION A-A

APPROX WEIGHT = x,xxx LBS
 KUA STOCK NUMBER = PADCONSP44484

THE TOP SURFACE SHALL BE A SMOOTH PLANE. THE MAXIMUM ALLOWABLE VARIATION IN HEIGHT BETWEEN TWO POINTS ON THIS SURFACE SHALL BE 0.125 INCHES. CONCRETE SHALL BE AT LEAST A 4000 PSI MIXTURE AT 28 DAYS WITH REINFORCING #4 REBAR. REINFORCING REBAR RODS SHALL BE WELDED AT EACH INTERSECTION. PER ASTM-615, THE REBAR SHALL BE GRADE 60. THERE SHALL BE AT LEAST 2" CONCRETE COVER REQUIRED OVER STEEL ON SIDES AND AROUND OPENINGS OF THE FOUNDATION. BEVEL ALL OUTER EXPOSED TOP EDGES, MAXIMUM OF 1/2" AROUND TOP. THE WINDOW OPENING SHALL NOT BE BEVELED.

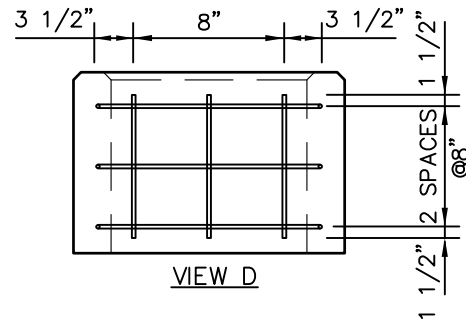
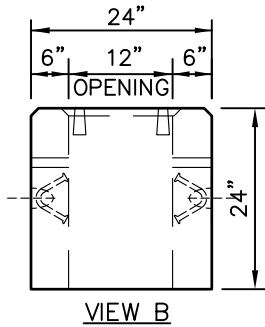
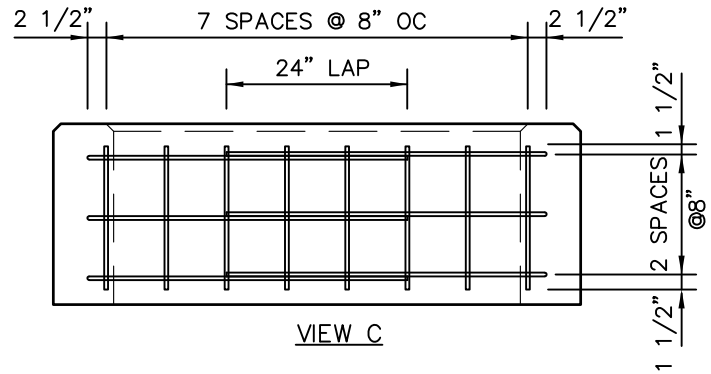
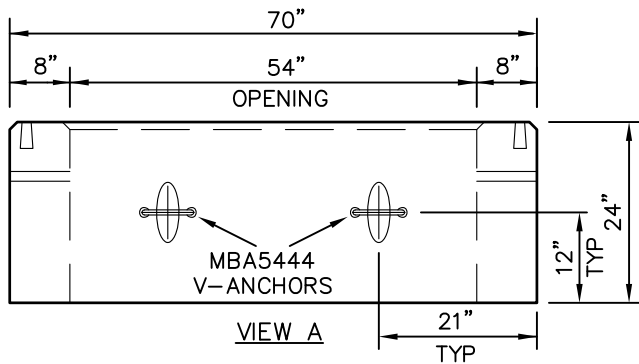
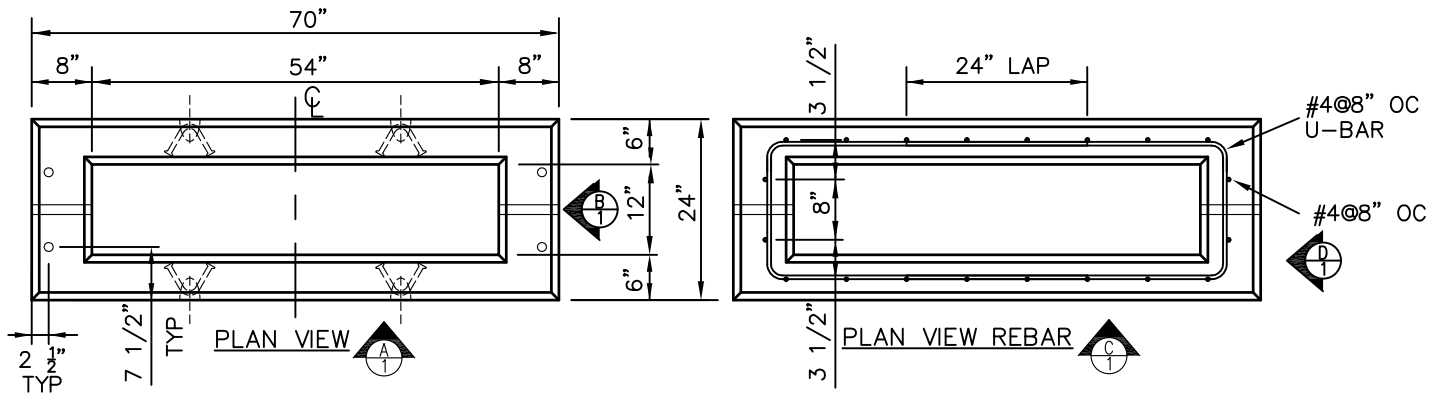
Authorized: _____	Date: _____	3	7/22/19
Approved: _____	Date: _____	2	8/7/17
		1	4/9/02
		Rev.	Revision Date



THREE PHASE PAD - TYPE 2C JUNCTION BOX
 48" x 44" x 4"

KISSIMMEE UTILITY AUTHORITY - DISTRIBUTION CONSTRUCTION MANUAL

Standard No.
 PAD03



APPROX WEIGHT = 2,150 LBS
 KUA STOCK NUMBER = PADCONCTYPE4

THE TOP SURFACE SHALL BE A SMOOTH PLANE. THE MAXIMUM ALLOWABLE VARIATION IN HEIGHT BETWEEN TWO POINTS ON THIS SURFACE SHALL BE 0.125 INCHES. CONCRETESHALL BE AT LEAST A 4000 PSI MIXTURE AT 28 DAYS WITH REINFORCING #4 REBAR. REINFORCING REBAR RODS SHALL BE WELDED AT EACH INTERSECTION. PER ASTM-615, THE REBAR SHALL BE GRADE 60. THERE SHALL BE AT LEAST 2" CONCRETE COVER REQUIRED OVER STEEL ON SIDES AND AROUND OPEINGS OF THE FOUNDATION. BEVEL ALL OUTER EXPOSED TOP EDGES, MAXIMUM OF 1/2" AROUND TOP. THE WINDOW OPEINING SHALL NOT BE BEVELED. THE SLEEVE SHALL ALSO BE PROVIDED WITH AT LEAST (2) -4" LIFTERS 0.444" DIA. V-ANCHORS ON EACH SIDE. THESE V-ANCHORS SHALL BE ANGLED SO THAT THE CREW'S PULLING CHAINS WILL ALLOW THE SLEEVE TO BE LEVELED AS IT IS BEING LIFTED IN PLACE FOR FIELD INSTALLATION.

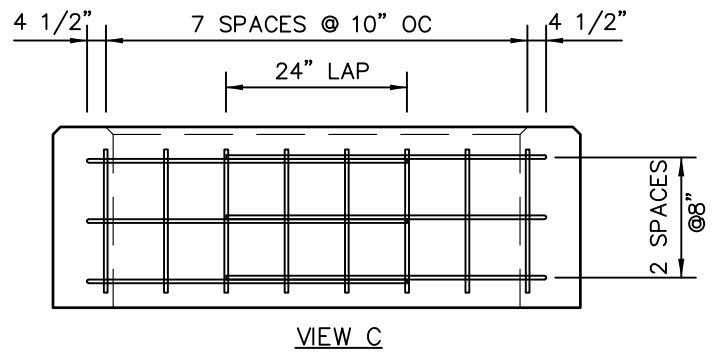
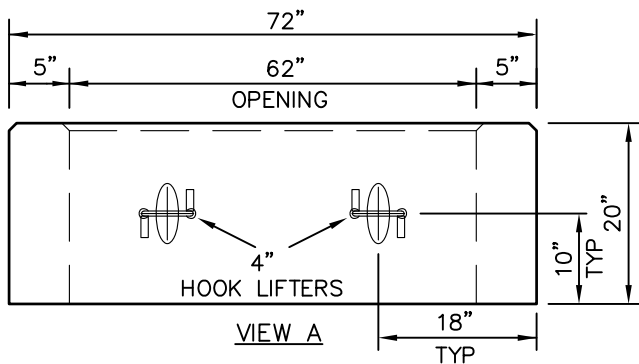
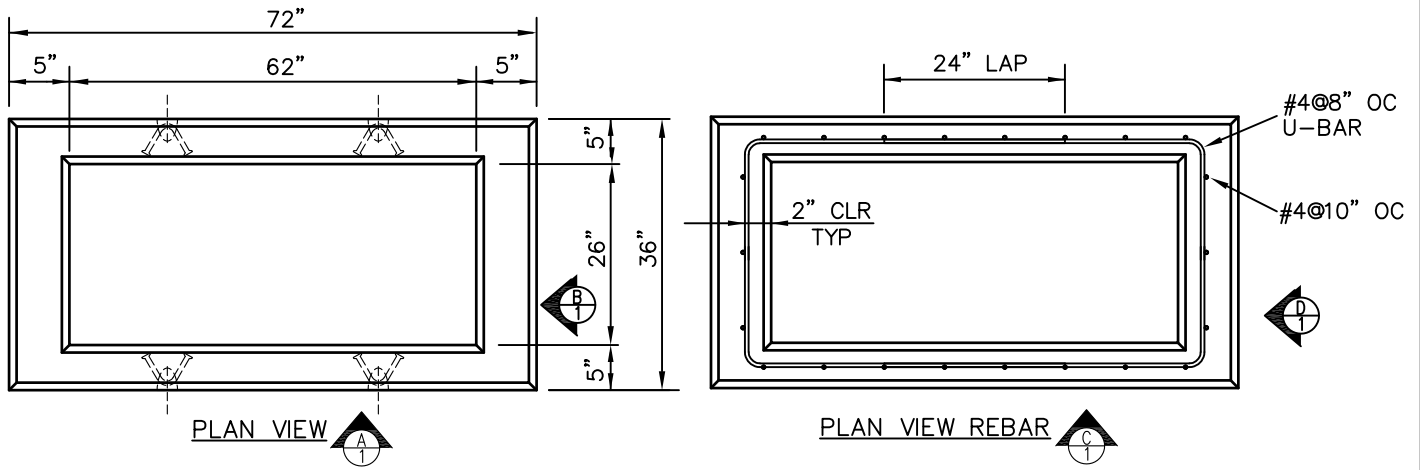
Authorized: _____	Date: _____	2	7/22/19
Approved: _____	Date: _____	1	8/7/17
		0	4/9/02
		Rev.	Revision Date



THREE PHASE SLEEVE - TYPE 4 JUNCTION BOX
 70" x 24" x 24"

KISSIMMEE UTILITY AUTHORITY - DISTRIBUTION CONSTRUCTION MANUAL

Standard No.
 NEWPAD06



APPROX WEIGHT = 1,702 LBS
 KUA STOCK NUMBER = PADTYPE7SPEC

THE TOP SURFACE SHALL BE A SMOOTH PLANE. THE MAXIMUM ALLOWABLE VARIATION IN HEIGHT BETWEEN TWO POINTS ON THIS SURFACE SHALL BE 0.125 INCHES. CONCRETE SHALL BE AT LEAST A 4000 PSI MIXTURE AT 28 DAYS WITH REINFORCING #4 REBAR. REINFORCING REBAR RODS SHALL BE WELDED AT EACH INTERSECTION. PER ASTM-615, THE REBAR SHALL BE GRADE 60. THERE SHALL BE AT LEAST 2" CONCRETE COVER REQUIRED OVER STEEL ON SIDES AND AROUND OPENINGS OF THE FOUNDATION. BEVEL ALL OUTER EXPOSED TOP EDGES, MAXIMUM OF 1/2" AROUND TOP. THE WINDOW OPENING SHALL NOT BE BEVELED. THE SLEEVE SHALL ALSO BE PROVIDED WITH AT LEAST (2) -4" LIFTERS 0.444" DIA. V-ANCHORS ON EACH SIDE. THESE V-ANCHORS SHALL BE ANGLED SO THAT THE CREW'S PULLING CHAINS WILL ALLOW THE SLEEVE TO BE LEVELED AS IT IS BEING LIFTED IN PLACE FOR FIELD INSTALLATION.

Authorized: _____	Date: _____	3	7/22/19
Approved: _____	Date: _____	2	8/7/17
		1	4/9/02
		Rev.	Revision Date

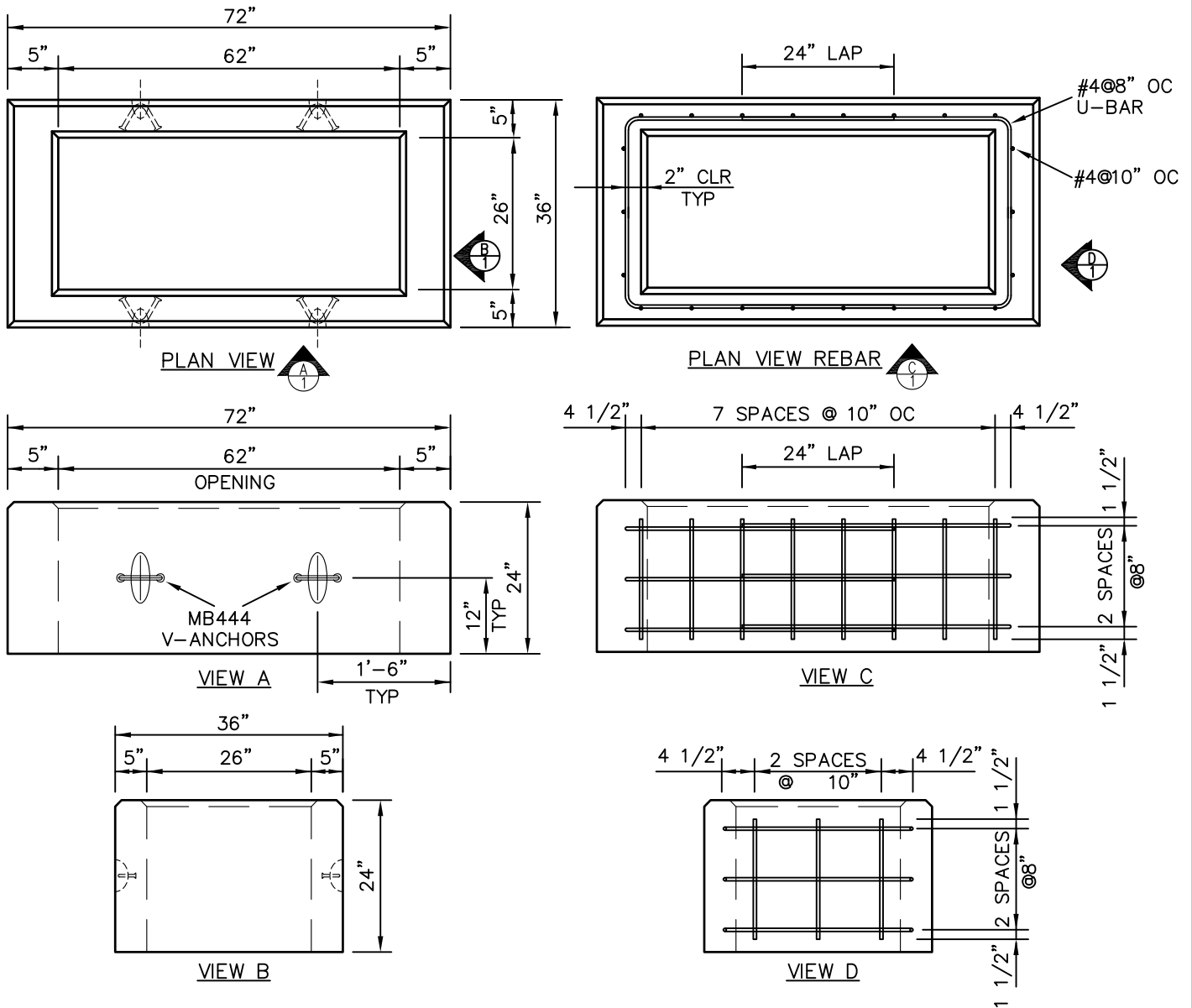


THREE PHASE SLEEVE - TYPE 6A & 7A JUNCTION BOX
 72" x 36" x 20"

KISSIMMEE UTILITY AUTHORITY - DISTRIBUTION CONSTRUCTION MANUAL

Standard No.

PAD09



APPROX WEIGHT = 2,050 LBS
 KUA STOCK NUMBER = PADCONTYPE67

THE TOP SURFACE SHALL BE A SMOOTH PLANE. THE MAXIMUM ALLOWABLE VARIATION IN HEIGHT BETWEEN TWO POINTS ON THIS SURFACE SHALL BE 0.125 INCHES. CONCRETE SHALL BE AT LEAST A 4000 PSI MIXTURE AT 28 DAYS WITH REINFORCING #4 REBAR. REINFORCING REBAR RODS SHALL BE WELDED AT EACH INTERSECTION. PER ASTM-615, THE REBAR SHALL BE GRADE 60. THERE SHALL BE AT LEAST 2" CONCRETE COVER REQUIRED OVER STEEL ON SIDES AND AROUND OPENINGS OF THE FOUNDATION. BEVEL ALL OUTER EXPOSED TOP EDGES, MAXIMUM OF 1/2" AROUND TOP. THE WINDOW OPENING SHALL NOT BE BEVELED. THE SLEEVE SHALL ALSO BE PROVIDED WITH AT LEAST (2) -4" LIFTERS 0.444" DIA. V-ANCHORS ON EACH SIDE. THESE V-ANCHORS SHALL BE ANGLED SO THAT THE CREW'S PULLING CHAINS WILL ALLOW THE SLEEVE TO BE LEVELED AS IT IS BEING LIFTED IN PLACE FOR FIELD INSTALLATION.

Authorized: _____	Date: _____	3	7/22/19
Approved: _____	Date: _____	2	8/7/17
		1	4/9/02
		Rev.	Revision Date

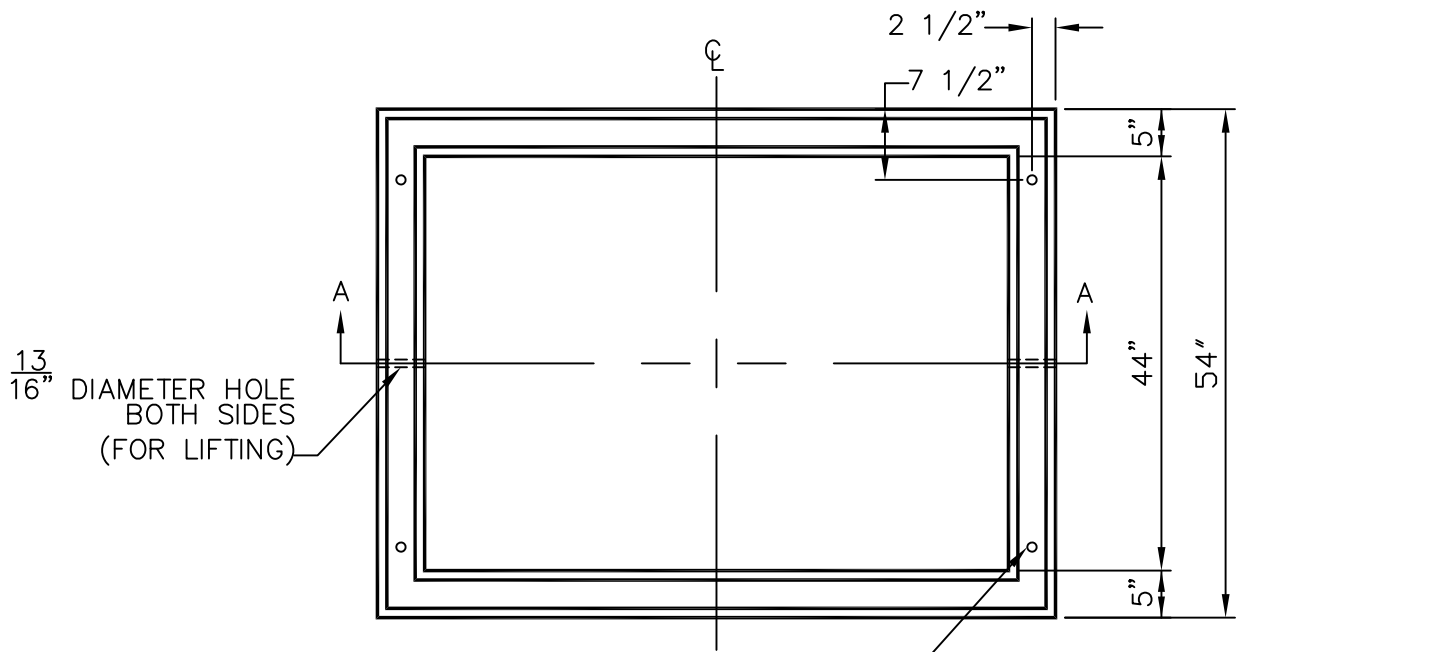


THREE PHASE SLEEVE - TYPE 6A & 7A JUNCTION BOX
 72" x 36" x 24"

KISSIMMEE UTILITY AUTHORITY - DISTRIBUTION CONSTRUCTION MANUAL

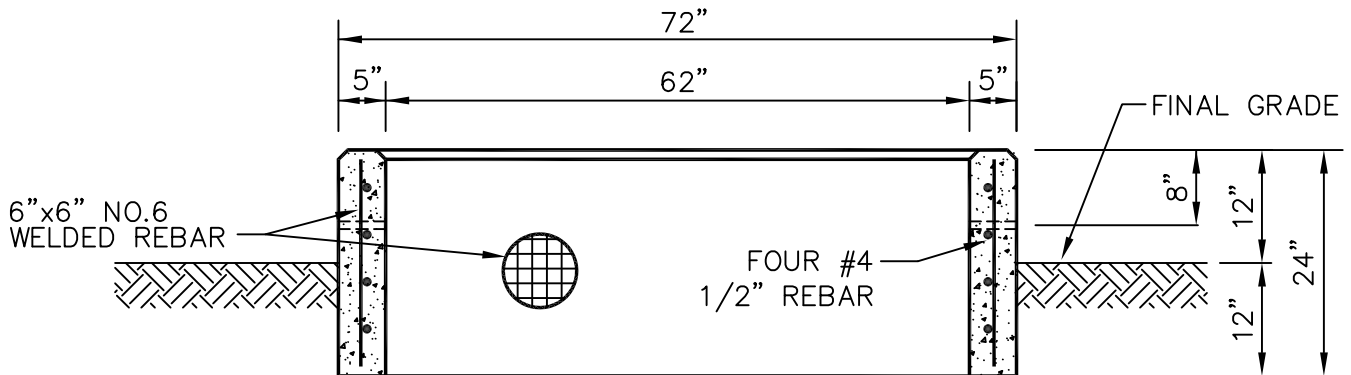
Standard No.

PAD09



PLAN VIEW

TIE DOWN INSERTS
(STAR#P45-T 5/8" DIAMETER
WITH PLASTIC PLUG)
(FLUSH WITH TOP SURFACE OF PAD)



SECTION A-A

THE TOP SURFACE SHALL BE A SMOOTH PLANE. THE MAXIMUM ALLOWABLE VARIATION IN HEIGHT BETWEEN TWO POINTS ON THIS SURFACE SHALL BE 0.125 INCHES. CONCRETE SHALL BE AT LEAST A 4000 PSI MIXTURE AT 28 DAYS WITH REINFORCING #4 REBAR. REINFORCING REBAR RODS SHALL BE WELDED AT EACH INTERSECTION. PER ASTM-615, THE REBAR SHALL BE GRADE 60. THERE SHALL BE AT LEAST 2" CONCRETE COVER REQUIRED OVER STEEL ON SIDES AND AROUND OPENINGS OF THE FOUNDATION. BEVEL ALL OUTER EXPOSED TOP EDGES, MAXIMUM OF 1/2" AROUND TOP. THE WINDOW OPENING SHALL NOT BE BEVELED. THE SLEEVE SHALL ALSO BE PROVIDED WITH AT LEAST (2) -4" LIFTERS 0.444" DIA. V-ANCHORS ON EACH SIDE. THESE V-ANCHORS SHALL BE ANGLED SO THAT THE CREW'S PULLING CHAINS WILL ALLOW THE SLEEVE TO BE LEVELED AS IT IS BEING LIFTED IN PLACE FOR FIELD INSTALLATION.

Authorized: _____	Date: _____	3	7/22/19
Approved: _____	Date: _____	2	8/7/17
		1	4/9/02
		Rev.	Revision Date

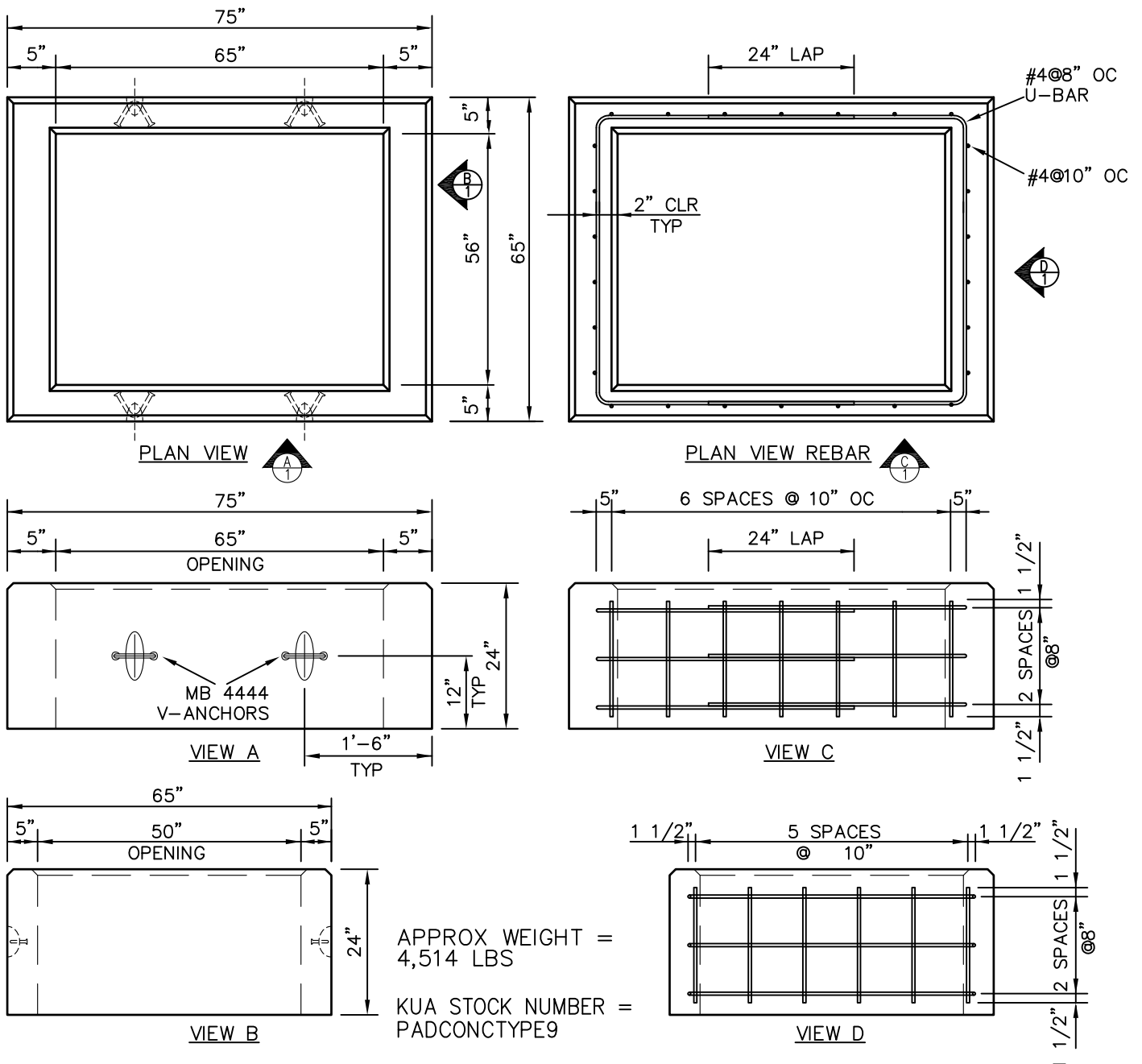


**THREE PHASE SLEEVE - TYPE 13 PRIMARY METERED
JUNCTION BOX 72" x 54" x 24"**

KISSIMMEE UTILITY AUTHORITY - DISTRIBUTION CONSTRUCTION MANUAL

Standard No.

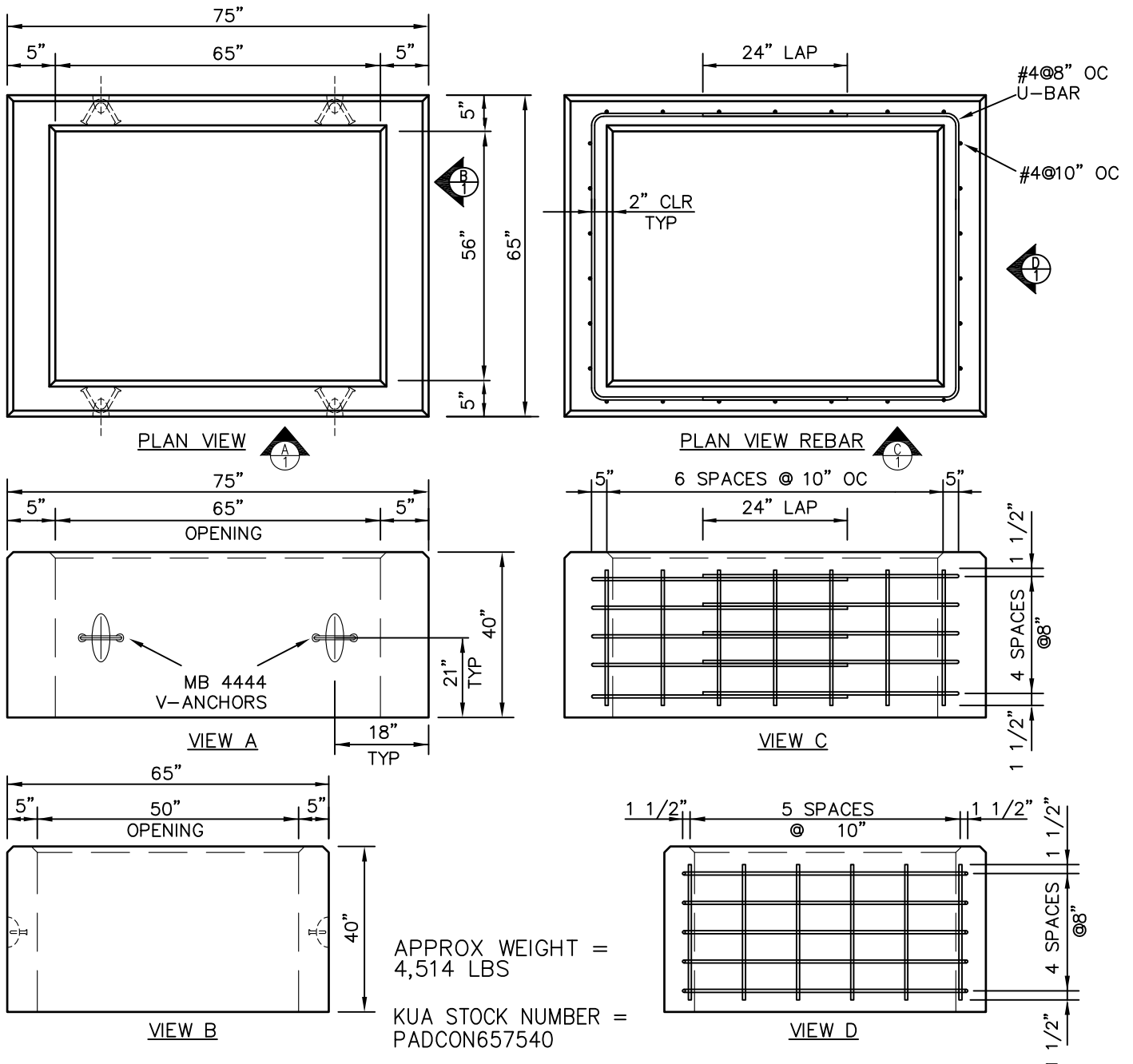
PAD14



THE TOP SURFACE SHALL BE A SMOOTH PLANE. THE MAXIMUM ALLOWABLE VARIATION IN HEIGHT BETWEEN TWO POINTS ON THIS SURFACE SHALL BE 0.125 INCHES. CONCRETE SHALL BE AT LEAST A 4000 PSI MIXTURE AT 28 DAYS WITH REINFORCING #4 REBAR. REINFORCING REBAR RODS SHALL BE WELDED AT EACH INTERSECTION. PER ASTM-615, THE REBAR SHALL BE GRADE 60. THERE SHALL BE AT LEAST 2" CONCRETE COVER REQUIRED OVER STEEL ON SIDES AND AROUND OPENINGS OF THE FOUNDATION. BEVEL ALL OUTER EXPOSED TOP EDGES, MAXIMUM OF 1/2" AROUND TOP. THE WINDOW OPENING SHALL NOT BE BEVELED. THE SLEEVE SHALL ALSO BE PROVIDED WITH AT LEAST (2) -4" LIFTERS 0.444" DIA. V-ANCHORS ON EACH SIDE. THESE V-ANCHORS SHALL BE ANGLED SO THAT THE CREW'S PULLING CHAINS WILL ALLOW THE SLEEVE TO BE LEVELED AS IT IS BEING LIFTED IN PLACE FOR FIELD INSTALLATION.

Authorized: _____	Date: _____	3	7/22/19
Approved: _____	Date: _____	2	8/7/17
		1	4/9/02
		Rev.	Revision Date

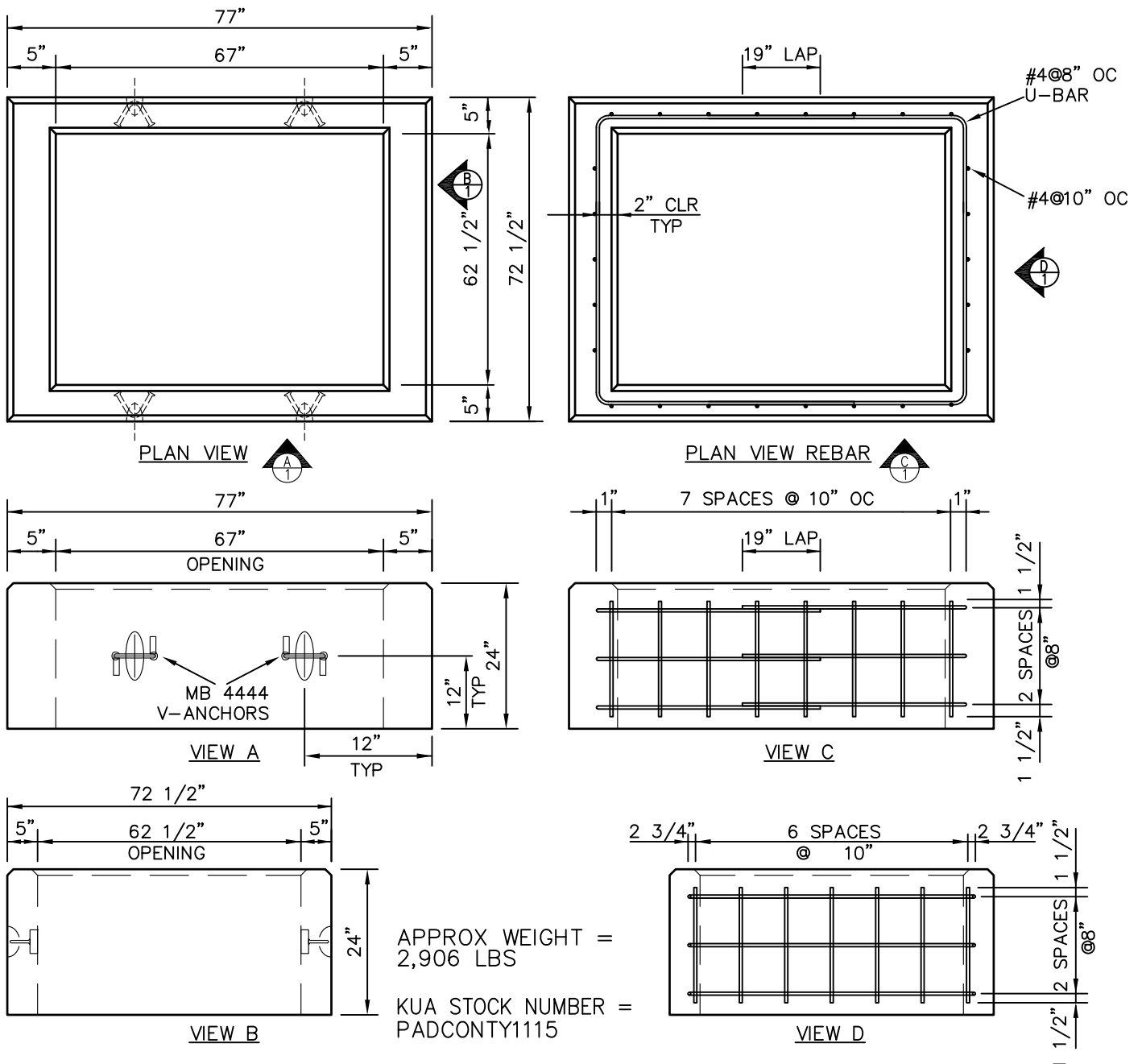
	THREE PHASE SLEEVE - TYPE 10 SWITCHGEAR 75" x 65" x 24"	Standard No.
	KISSIMMEE UTILITY AUTHORITY - DISTRIBUTION CONSTRUCTION MANUAL	PAD09



THE TOP SURFACE SHALL BE A SMOOTH PLANE. THE MAXIMUM ALLOWABLE VARIATION IN HEIGHT BETWEEN TWO POINTS ON THIS SURFACE SHALL BE 0.125 INCHES. CONCRETE SHALL BE AT LEAST A 4000 PSI MIXTURE AT 28 DAYS WITH REINFORCING #4 REBAR. REINFORCING REBAR RODS SHALL BE WELDED AT EACH INTERSECTION. PER ASTM-615, THE REBAR SHALL BE GRADE 60. THERE SHALL BE AT LEAST 2" CONCRETE COVER REQUIRED OVER STEEL ON SIDES AND AROUND OPENINGS OF THE FOUNDATION. BEVEL ALL OUTER EXPOSED TOP EDGES, MAXIMUM OF 1/2" AROUND TOP. THE WINDOW OPENING SHALL NOT BE BEVELED. THE SLEEVE SHALL ALSO BE PROVIDED WITH AT LEAST (2) -4" LIFTERS 0.444" DIA. V-ANCHORS ON EACH SIDE. THESE V-ANCHORS SHALL BE ANGLED SO THAT THE CREW'S PULLING CHAINS WILL ALLOW THE SLEEVE TO BE LEVELED AS IT IS BEING LIFTED IN PLACE FOR FIELD INSTALLATION.

Authorized: _____	Date: _____	3	7/22/19
Approved: _____	Date: _____	2	8/7/17
		1	4/9/02
		Rev.	Revision Date

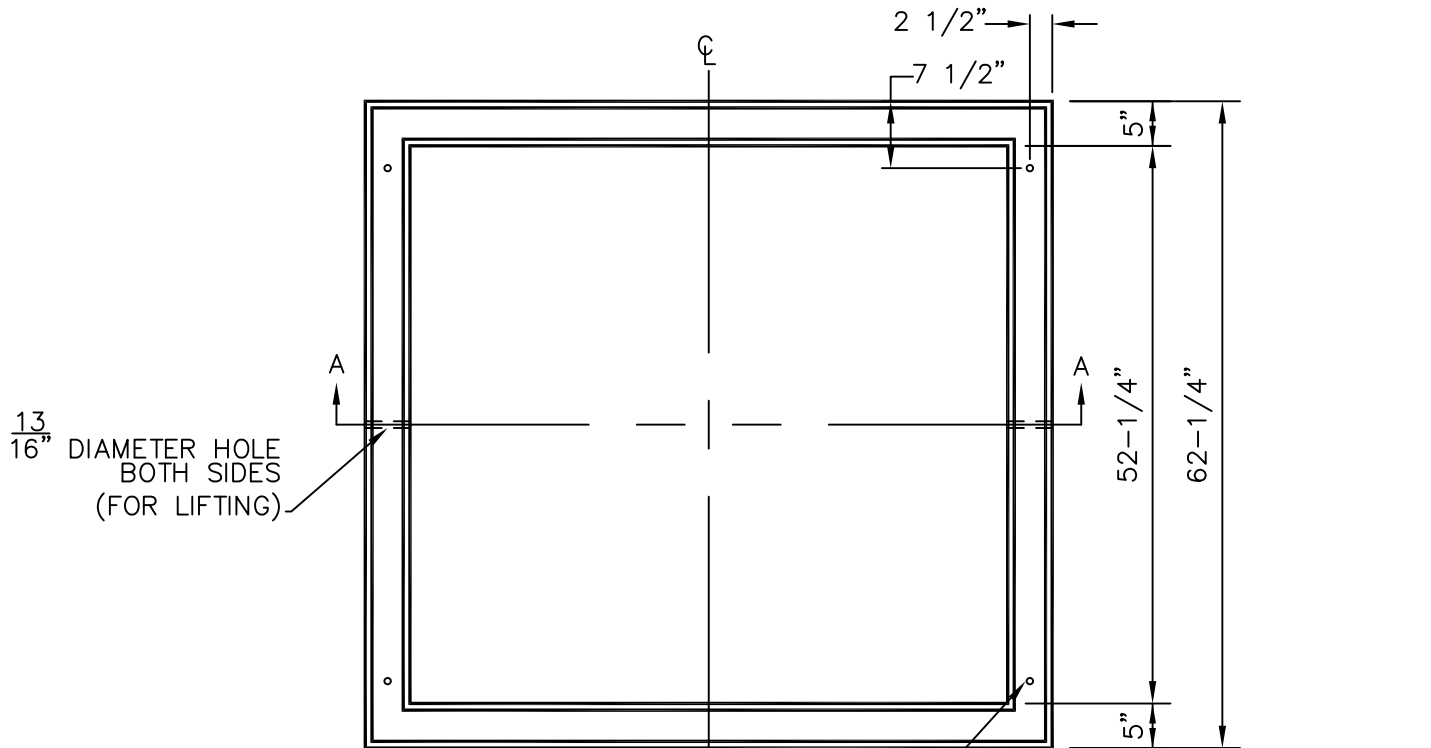
	THREE PHASE SLEEVE - TYPE 10 SWITCHGEAR 75" x 65" x 40"	Standard No.
	KISSIMMEE UTILITY AUTHORITY - DISTRIBUTION CONSTRUCTION MANUAL	PAD17



THE TOP SURFACE SHALL BE A SMOOTH PLANE. THE MAXIMUM ALLOWABLE VARIATION IN HEIGHT BETWEEN TWO POINTS ON THIS SURFACE SHALL BE 0.125 INCHES. CONCRETE SHALL BE AT LEAST A 4000 PSI MIXTURE AT 28 DAYS WITH REINFORCING #4 REBAR. REINFORCING REBAR RODS SHALL BE WELDED AT EACH INTERSECTION. PER ASTM-615, THE REBAR SHALL BE GRADE 60. THERE SHALL BE AT LEAST 2" CONCRETE COVER REQUIRED OVER STEEL ON SIDES AND AROUND OPENINGS OF THE FOUNDATION. BEVEL ALL OUTER EXPOSED TOP EDGES, MAXIMUM OF 1/2" AROUND TOP. THE WINDOW OPENING SHALL NOT BE BEVELED. THE SLEEVE SHALL ALSO BE PROVIDED WITH AT LEAST (2) -4" LIFTERS 0.444" DIA. V-ANCHORS ON EACH SIDE. THESE V-ANCHORS SHALL BE ANGLED SO THAT THE CREW'S PULLING CHAINS WILL ALLOW THE SLEEVE TO BE LEVELED AS IT IS BEING LIFTED IN PLACE FOR FIELD INSTALLATION.

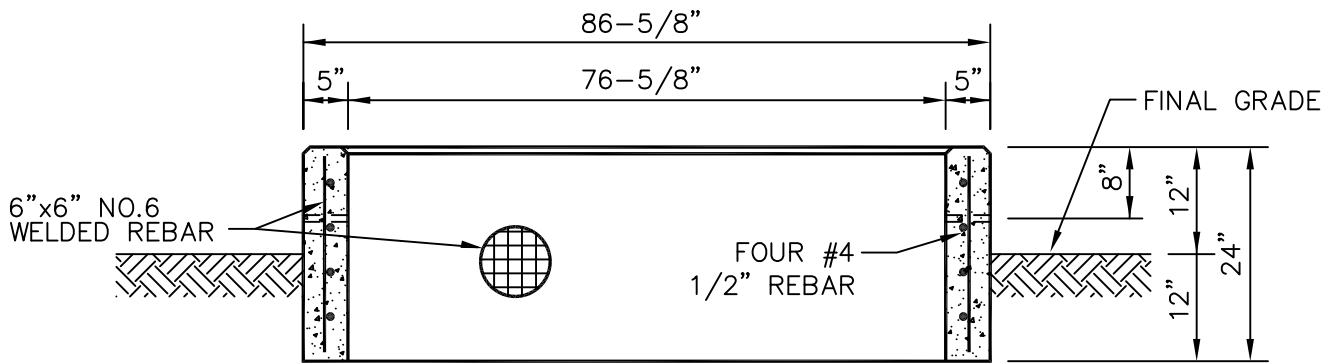
Authorized: _____	Date: _____	3	7/22/19
Approved: _____	Date: _____	2	8/7/17
		1	4/9/02
		Rev.	Revision Date

	THREE PHASE SLEEVE - TYPE 11 & 15 SWITCHGEAR 77" x 72.5" x 24"	Standard No.
	KISSIMMEE UTILITY AUTHORITY - DISTRIBUTION CONSTRUCTION MANUAL	PAD09



PLAN VIEW

TIE DOWN INSERTS
(STAR#P45-T 5/8" DIAMETER
WITH PLASTIC PLUG)
(FLUSH WITH TOP SURFACE OF PAD)



SECTION A-A

THE TOP SURFACE SHALL BE A SMOOTH PLANE. THE MAXIMUM ALLOWABLE VARIATION IN HEIGHT BETWEEN TWO POINTS ON THIS SURFACE SHALL BE 0.125 INCHES. CONCRETESHALL BE AT LEAST A 4000 PSI MIXTURE AT 28 DAYS WITH REINFORCING #4 REBAR. REINFORCING REBAR RODS SHALL BE WELDED AT EACH INTERSECTION. PER ASTM-615, THE REBAR SHALL BE GRADE 60. THERE SHALL BE AT LEAST 2" CONCRETE COVER REQUIRED OVER STEEL ON SIDES AND AROUND OPENINGS OF THE FOUNDATION. BEVEL ALL OUTER EXPOSED TOP EDGES, MAXIMUM OF 1/2" AROUND TOP. THE WINDOW OPENING SHALL NOT BE BEVELED. THE SLEEVE SHALL ALSO BE PROVIDED WITH AT LEAST (2) -4" LIFTERS 0.444" DIA. V-ANCHORS ON EACH SIDE. THESE V-ANCHORS SHALL BE ANGLED SO THAT THE CREW'S PULLING CHAINS WILL ALLOW THE SLEEVE TO BE LEVELED AS IT IS BEING LIFTED IN PLACE FOR FIELD INSTALLATION.

Authorized: _____	Date: _____	3	7/22/19
Approved: _____	Date: _____	2	8/7/17
		1	4/9/02
		Rev.	Revision Date



THREE PHASE SLEEVE - TYPE 14 ATS (G&W)

86.625"x62.25"x24"

KISSIMMEE UTILITY AUTHORITY - DISTRIBUTION CONSTRUCTION MANUAL

Standard No.

PAD20